

**Soft Served  
K-Soft Soft Ice Cream Dispenser,  
70cones/h (70gr) or 5kg, pump**

ITEM # \_\_\_\_\_

MODEL # \_\_\_\_\_

NAME # \_\_\_\_\_

SIS # \_\_\_\_\_

AIA # \_\_\_\_\_



560026 (KSOFTP)

Soft ice cream dispenser with 2 l tank capacity and 1 l cylinder volume, hourly production: up to 70 cones (75 gr) or 5 kg, pump version, R452A

### Short Form Specification

Item No. \_\_\_\_\_

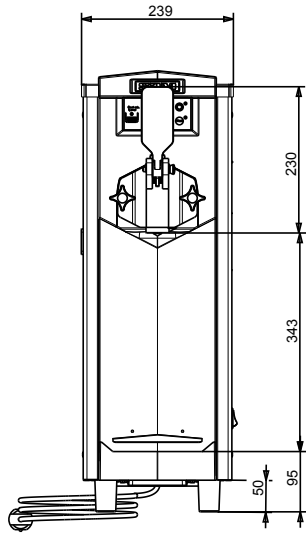
Compact counter top unit for production of soft ice cream and frozen yogurt, ideal for small spaces. Hourly capacity: up to 70 cones (5 kg/h); 2lt capacity+1lt inside the freezing cylinder. Pump feeding system.

### Main Features

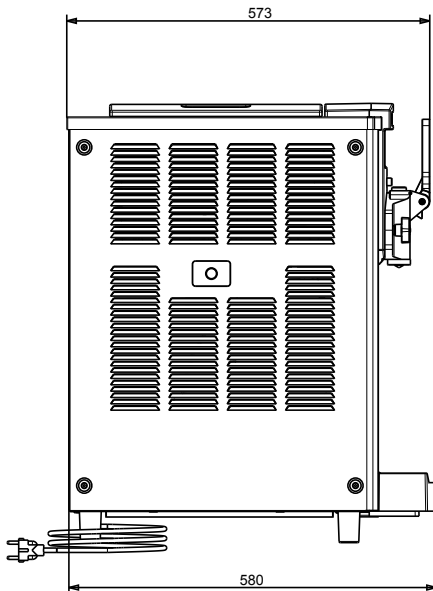
- Very quiet operation.
- Pump feeding system.
- Compact counter top unit for production of soft ice cream and frozen yogurt, ideal for small spaces.
- Hourly capacity (up to): 70 cones (5 kg/h).

APPROVAL: \_\_\_\_\_

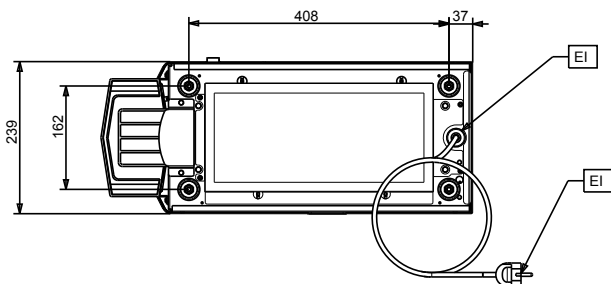
Front



Side



Top



### Electric

Supply voltage:

560026 (KSOFTP) 220-240 V/1 ph/50 Hz

Electrical power max.:

1.05 kW

### Key Information:

External dimensions, Width: 240 mm

External dimensions, Depth: 580 mm

External dimensions, Height: 700 mm

Net weight: 60 kg

Freezing cylinder capacity: 1 l

Preparation system: pump

Plug type: CE-SCHUKO

### Sustainability

Refrigerant type: R452A